



# Using SECO Tribrach Adjuster Tribrach Circular Vial Adjustment Using Tribrach Adjuster #2002

## STEPS

**1** Place the tribrach onto the tripod and fasten.

**2** Place the #2002 in the tribrach using the vial on the #2002 vial on the tribrach.

**STEP A** • To level the to any leveling screw the vial to center.

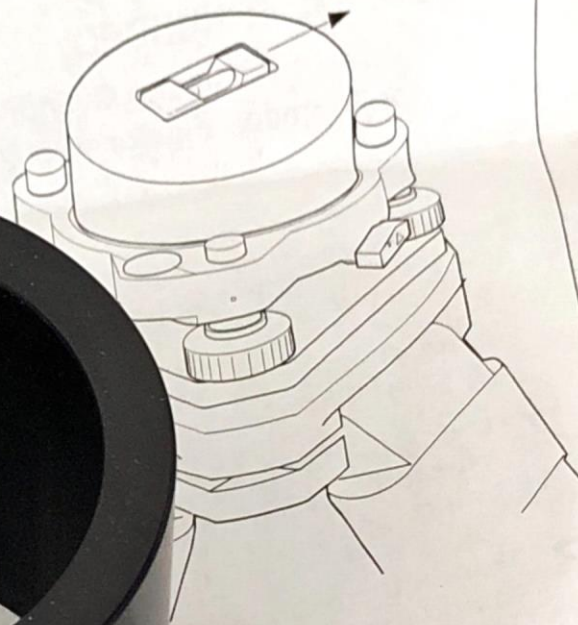
**STEP B** • Turn the # end of the vial is as two leveling screws. screws, center the vial

**STEP C** • Turn the vial original leveling screw

**STEP D** • Repeat steps centered at both positions

**3** To test the adjustment of 180 degrees. The vial should error back to the center within

**4** Once the #2002 is level, use to center as needed.



..., rotate the vial on. If not, take half the the high side.

the tribrach circular vial







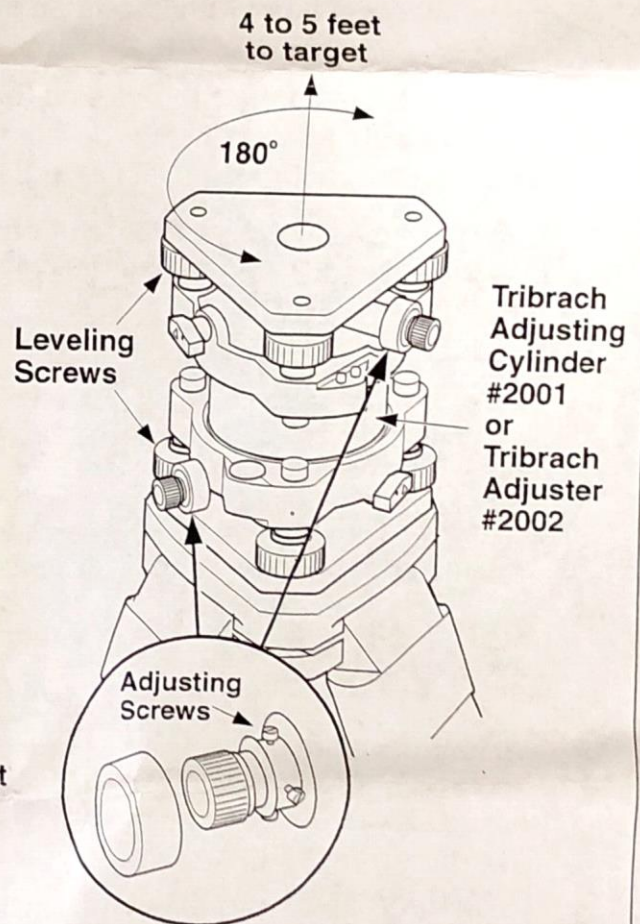
# Using SECO Tribrach Adjusters Optical Plummet Adjustment Using Tribrach Adjusting Cylinder #2001 or Tribrach Adjuster #2002

## STEPS

### EQUIPMENT NEEDED:

Tribrach Adjusting Cylinder #2001  
or Tribrach Adjuster #2002  
Tripod or Instrument Stand  
Two Tribrachs and a Target

- 1** Place the tribrach onto the tripod. Place the adjuster in the tribrach. Place the tribrach to be adjusted on top of the adjuster so that it is upside down looking at target on the ceiling. The distance between the tribrach and target should be between 4 and 5 feet.
- 2** Using the leveling screws of the bottom tribrach, adjust the crosshair of the tribrach being tested to coincide with the target.
- 3** Rotate the tribrach being tested 180 degrees on the adjuster. Crosshairs will stay on the target of a properly adjusted tribrach.
- 4** After the 180 degree turn, if the crosshair does not stay on target, half the error should be corrected with the adjusting screws provided by the manufacturer of the tribrach. The remaining error should be corrected with the leveling screws of the bottom tribrach.
- 5** Repeat steps 2 & 4 until the crosshair stays on target at all positions.



4155 Oasis Road, Redding, California 96003 • (530) 225-8155 • FAX (530) 225-8162  
e-mail: [seco@surveying.com](mailto:seco@surveying.com) • web: [www.surveying.com](http://www.surveying.com)



# Using SECO Tribrach Adjusters Tribrach Circular Vial Adjustment Using Tribrach Adjuster #2002

## STEPS

- 1 Place the tribrach onto the tripod and fasten.
- 2 Place the #2002 in the tribrach and level it using the vial on the #2002. Ignore the circular vial on the tribrach.

**STEP A** • To level the #2002, point one end of it to any leveling screw and use that screw to bring the vial to center.

**STEP B** • Turn the #2002 90 degrees so that each end of the vial is as close as possible to the other two leveling screws. Using these two leveling screws, center the vial.

**STEP C** • Turn the vial 90 degrees back to the original leveling screw and level again if necessary.

**STEP D** • Repeat steps A, B, & C until the vial remains centered at both positions.
- 3 To test the adjustment of the #2002 vial at any centered position, rotate the vial 180 degrees. The vial should stay centered within one graduation. If not, take half the error back to the center with the vial mounting screw that is on the high side.
- 4 Once the #2002 is level, use the adjusting screws to adjust the tribrach circular vial to center as needed.

