

Leica ScanStation C10/C5 Equipment List



- when it has to be **right**

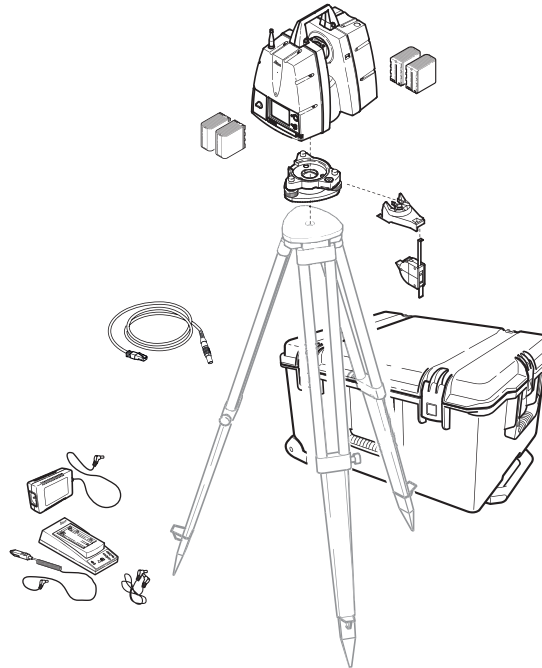
Leica
Geosystems

Table of Contents

| | |
|--|-----------|
| ScanStation C10/C5 | 3 |
| 1 Scanner Set ScanStation C10 | 3 |
| 2 Scanner Set ScanStation C5 | 4 |
| Accessories for ScanStation C10/C5 | 5 |
| 3 Accessory Set | 5 |
| 4 Power Supply | 5 |
| 4.1 Internal Power Supply | 5 |
| 4.2 External Power Supply | 5 |
| 4.3 AC Power Supply | 5 |
| 5 Data Transfer | 6 |
| 6 Instrument Height Meter | 6 |
| 7 Tribrachs | 6 |
| 8 Tripods | 6 |
| 9 Targets | 6 |
| 9.1 Targets | 6 |
| 9.2 Target Accessories | 7 |
| 9.3 Target Pole | 7 |
| 9.4 Magnetic Mount for Targets | 7 |
| 9.5 Reflector Carriers | 7 |
| 9.6 Adapter | 7 |
| 10 Reflectors | 7 |
| 11 GNSS (Global Navigation Satellite System) | 8 |
| 11.1 GNSS SmartAntenna | 8 |
| 11.2 SmartAntenna Adapter | 8 |
| 11.3 Controller for GNSS SmartAntenna | 8 |
| 12 Additional Containers | 8 |
| 13 External Camera Kit | 9 |
| 14 License Options | 9 |
| Suggested Equipment Setups | 10 |
| 15 Configuration stand alone/internal Battery | 10 |
| 16 Configuration scan laptop/external Battery | 10 |
| 17 Configuration stand alone/internal Battery with Reflector on top | 11 |
| 18 Configuration stand alone/internal Battery with GPS Antenna on top | 12 |
| Software and Care Packages | 13 |
| 19 Software | 13 |
| 20 Customer Care Packages (CCP) | 13 |
| Trademarks & Technical Data | 14 |
| 21 Trademarks | 14 |
| 22 Technical Data | 14 |

ScanStation C10/C5

1 Scanner Set ScanStation C10

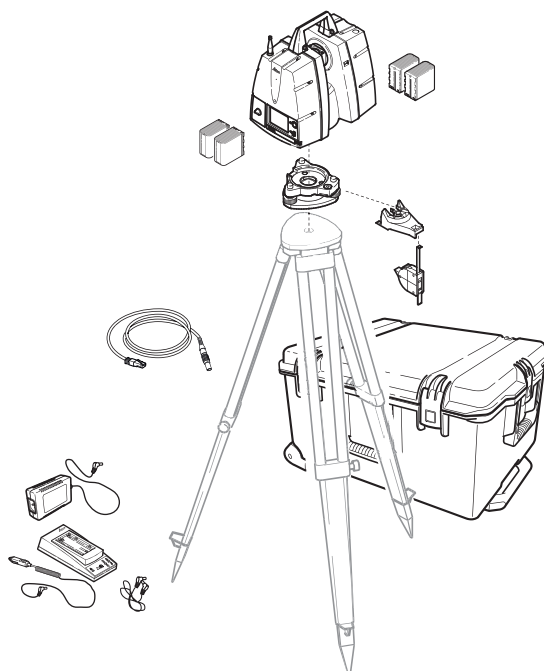


6003155 **C10**

Leica ScanStation C10 - 3D laser scanning system consisting of:

- 1x HDSC10, Leica ScanStation C10 scan head (767 742)
 - 1x GVP645, ScanStation C10/C5 transport container (769 625)
 - 1x GDF321 Tribrach without optical plummet (777 508)
 - 4x GEB242, Lithium-Ion battery (793 975)
 - 1x GKL212, Basic charger (772 785)
 - 1x AC/DC adapter for basic charger (773 058)
 - 1x Daisy chain cable for basic charger (773 059)
 - 1x Car-Adapter cable for basic charger (738 242)
 - 1x GEV228, ScanStation C10/C5 data cable (766 567)
 - 1x GHM008, Scanner height meter (772 829)
 - 1x GHT196, Distance holder for height meter (722 045)
 - 1x Cleaning tissue (771 349)
 - 1x CD-ROM Cyclone (755 609)
 - 1x ScanStation C10/C5 User manual (774 311)
 - 1x ScanStation C10/C5 System Field Manual (781 284)
 - 1x ScanStation C10/C5 System USB stick (819 532)
 - 1x Cyclone BASIC (798 749)
 - 1x CCP Basic for ScanStation C10 (1year) (6003159)
-

2 Scanner Set ScanStation C5



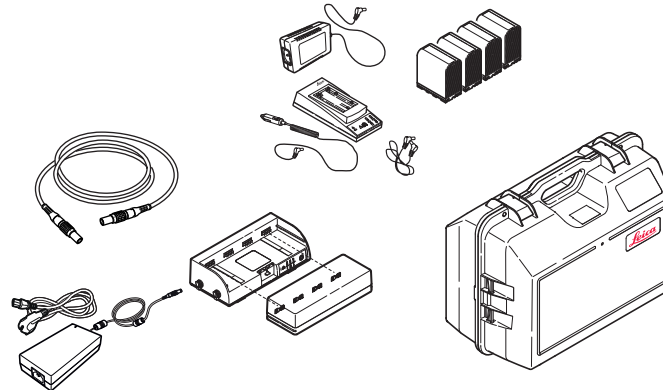
6005697 **C5**

Leica ScanStation C5 - 3D laser scanning system consisting of:

- 1x HDSC5, Leica ScanStation C5 scan head (788 980)
 - 1x GVP645, ScanStation C10/C5 transport container (769 625)
 - 1x GDF321 Tribrach without optical plummet (777 508)
 - 4x GEB242, Lithium-Ion battery (793 975)
 - 1x GKL212, Basic charger (772 785)
 - 1x AC/DC adapter for basic charger (773 058)
 - 1x Daisy chain cable for basic charger (773 059)
 - 1x Car-Adapter cable for basic charger (738 242)
 - 1x GEV228, ScanStation C10/C5 data cable (766 567)
 - 1x GHM008, Scanner height meter (772 829)
 - 1x GHT196, Distance holder for height meter (722 045)
 - 1x Cleaning tissue (771 349)
 - 1x CD-ROM Cyclone (755 609)
 - 1x ScanStation C10/C5 User manual (774 311)
 - 1x ScanStation C10/C5 System Field Manual (781 284)
 - 1x ScanStation C10/C5 System USB stick (819 532)
 - 1x Cyclone BASIC (798 749)
 - 1x CCP Basic for ScanStation C5 (1year) (6003159)
-

Accessories for ScanStation C10/C5

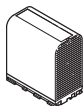
3 Accessory Set



| | | |
|---------|---|--|
| 6003156 | Leica ScanStation C10/C5 accessory set consisting of: | |
| | • | 1x GVP652, ScanStation C10 accessory container (769 626) |
| | • | 1x GEB271, External universal battery (766 783) |
| | • | 1x GKL271, Charging station for GEB271 (766 784) |
| | • | 1x GEV225, AC power supply for GKL271 (767 652) |
| | • | 1x GEV97, 1.8m power cable (560 130) |
| | • | 4x GEB242, Lithium-Ion battery (793 975) |
| | • | 1x GKL212, Basic charger (772 785) |
| | • | 1x Car-Adapter cable for basic charger (738 242) |
| | • | 1x Daisy chain cable for basic charger (773 059) |
| | • | 1x AC/DC adapter for basic charger (773 058) |

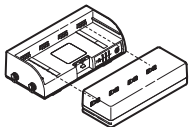
4 Power Supply

4.1 Internal Power Supply



| | | |
|---------|---------------|--|
| 793 975 | GEB242 | Lithium-Ion battery, 14.8V/5.8Ah, rechargeable. |
| 772 785 | GKL212 | Charger for Li-Ion batteries, with AC power cable. |
| 773 058 | | AC/DC adapter for basic charger. |
| 773 059 | | Daisy chain cable for basic charger. |
| 738 242 | | Car-Adapter cable for basic charger. |
| 733 271 | GKL221 | Charger, to be used with up to two charging adapters GDI221 or GDI222, charger cable and net adapter included. |
| 733 323 | GDI221 | Adapter for GKL221 for charging 2 Li-Ion batteries GEB242. |

4.2 External Power Supply



| | | |
|---------|---------------|---|
| 766 783 | GEB271 | Lithium-Ion, 14.8V, 16.8Ah. Can only be used together with the GKL271 charging station (766 784). |
| 766 784 | GKL271 | Charging station for the GEB271 external universal battery (766 783), 14.8V/24/36V output power. |
| 767 652 | GEV225 | AC power supply for the GKL271 charging station (766 784). For indoor use only! |
| 560 130 | GEV97 | 1.8m power cable. Connects external battery and scanner. |

4.3 AC Power Supply



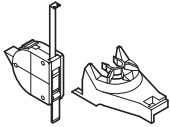
| | | |
|---------|---------------|--|
| 767 744 | GEV230 | AC power supply for the ScanStation C10/C5 scanner. For indoor use only. |
|---------|---------------|--|

5 Data Transfer



| | | |
|---------|---------------|--|
| 766 567 | GEV228 | ScanStation C10/C5 data cable, 2.5m, standard Ethernet jack to Lemo (8pin). Connects ScanStation C10/C5 with computer. |
|---------|---------------|--|

6 Instrument Height Meter



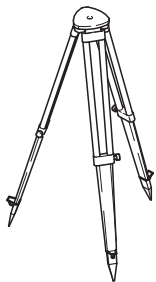
| | | |
|---------|---------------|-----------------------------------|
| 772 829 | GHM008 | Scanner height meter. |
| 722 045 | GHT196 | Distance holder for height meter. |

7 Tribrachs



| | | |
|---------|---------------|--|
| 777 508 | GDF321 | Tribrach, without optical plummet, pale green. |
| 777 509 | GDF322 | Tribrach, with optical plummet, pale green. |

8 Tripods



| | | |
|---------|--------------|---|
| 670 238 | | Fibreglass tripod with quick clamp. |
| 332 200 | GST4 | Tripod-star, for setting up tripods on hard and slippery surfaces. |
| 753 314 | GST73 | Rolling base with lockable wheels, suitable for all tripods. Allows the tripod to be moved without removing the instrument. |

9 Targets

9.1 Targets



| | | |
|---------|--|--|
| 6001581 | | Target Package C, consisting of: <ul style="list-style-type: none"> • 20 targets - 3" x 3" square planar, adhesive backed (670 211) • 20 targets - 3" x 3" square planar, magnetic backed (670 212) • 2 targets - 3" x 3" square planar, tilt and turn, 5/8" threaded (670 235) • 2 targets - 6" circular planar, tilt and turn, 5/8" threaded (670 220) • 1 target bag (670 225) • 1 twin-target pole (670 227) • 1 target tripod with target tripod bag (670 223, 670 224) • 3 flat magnetic mounts (670 229) • 1 V-block magnetic mount. (670 228) |
| 670 233 | | Twin Target system for establishing the verticality of scans, consisting of: <ul style="list-style-type: none"> • Two 3" x 3" targets, 5/8" threaded, • System pole, with bag Target tripod not included. |
| 670 211 | | Target - 3" x 3" square planar, single, adhesive-backed (10 pack). |
| 670 212 | | Target - 3" x 3" square planar, single, magnetic (10 pack). |
| 670 216 | | Target - 6" circular planar, single, adhesive-backed (10 pack). |
| 670 217 | | Target - 6" circular planar, single, magnetic (10 pack). |
| 670 235 | | Target - 3" x 3" square planar, tilt and turn, 5/8" threaded. |
| 670 220 | | Target - 6" circular planar, tilt and turn, 5/8" threaded. HDS target. |
| 793 530 | | Tilt and turn, 6" circular planar, 5/8" female threaded. HDS7000 Black and White Target. |
| 6000177 | | 2 complete fixed height "Twin-Target" pole systems, each system consists of: <ul style="list-style-type: none"> • Two 3" x 3" targets, 5/8" threaded, with bag • System pole, with bag (670 233) • Thumb release tripod (670 233) |

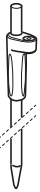


| | | |
|---------|--|--|
| 798 948 | | Tilt and turn, 6" circular planar, 5/8" female threaded. ScanStation P20 Black & White target. |
| 810 425 | | Black & White target - 6" circular planar, single, adhesive-backed (10 pack). |

9.2 Target Accessories

| | | |
|---------|--|---|
| 670 223 | | Target tripod. |
| 670 224 | | Target tripod bag. |
| 670 225 | | Target bag for 3" x 3" planar, 6" planar or 6" half-sphere tilt and turn targets. |

9.3 Target Pole



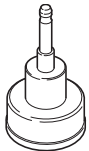
| | | |
|---------|--|---------------------------|
| 670 227 | | Fixed height target pole. |
|---------|--|---------------------------|

9.4 Magnetic Mount for Targets



| | | |
|---------|--|--|
| 670 228 | | V-block magnetic mount for targets with 5/8" x 11 threaded post, for mounting on steel pipes. |
| 670 229 | | Flat magnetic mount for targets with 5/8" x 11 threaded post, for mounting on flat steel surfaces. |

9.5 Reflector Carriers



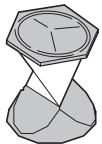
| | | |
|---------|---------------|--------------------------------|
| 667 216 | GRT146 | Carrier with 5/8" screw. |
| 667 313 | GRT144 | Carrier with stub, pale green. |
| 770 715 | GRT247 | Carrier with 5/8" screw. |

9.6 Adapter



| | | |
|---------|--------------|---|
| 667 217 | GAD31 | Screw-to-Stub adapter, for mounting of HDS targets to poles and carriers with stub. |
|---------|--------------|---|

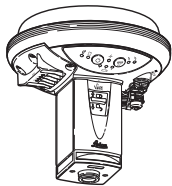
10 Reflectors



| | | |
|---------|---------------|--|
| 639 985 | GRZ4 | 360° reflector. |
| 754 384 | GRZ122 | 360° reflector with 5/8" thread. |
| 774 700 | GAD111 | GAD104-to-Stub adapter. Adapter to mount Leica reflectors on GAD104 SmartAntenna adapter. |
| 779 082 | GAD112 | GAD110-to-Stub adapter. Adapter to mount Leica reflectors on GAD110 Smart-Antenna adapter. |

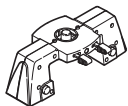
11 GNSS (Global Navigation Satellite System)

11.1 GNSS SmartAntenna



| | | |
|---------|-------------|---------------------------------------|
| 771 504 | GS15 | Leica GS15 Professional SmartAntenna. |
|---------|-------------|---------------------------------------|

11.2 SmartAntenna Adapter



| | | |
|---------|---------------|--|
| 767 802 | GAD110 | SmartAntenna adapter to mount GS15 SmartAntenna. |
|---------|---------------|--|


11.3 Controller for GNSS SmartAntenna



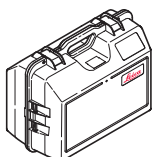
| | | |
|---------|------------------------------------|--|
| 810 857 | CS10 Radio Field Controller | CS10 Radio Field Controller. Ruggedized WinCE field controller with full VGA touch display, 1GB NAND flash memory, 512MB SDRAM, CF/SD card slot and 2MP camera. Includes Bluetooth, internal WLAN module, internal TPS radio module, numeric keypad, stylus. Available with either Lemo connector (CBC01) or DSUB connector module (CBC02). |
|---------|------------------------------------|--|




| | | |
|---------|------------------------------------|---|
| 810 856 | CS15 Radio Field Controller | CS15 Radio Field Controller. Ruggedized WinCE field controller with full VGA touch display, 1GB NAND flash memory, 512MB SDRAM, CF/SD card slot and 2MP camera. Includes Bluetooth, internal WLAN module, internal TPS radio module, QWERTY keypad, stylus. Available with either Lemo connector (CBC01) or DSUB connector module (CBC02). |
|---------|------------------------------------|---|

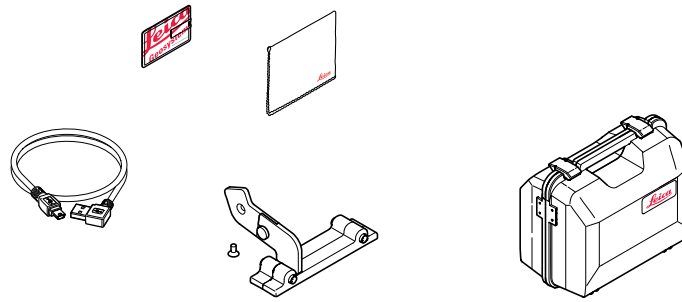
 For details about additional required products and accessories to use the GNSS option or other antenna and controller configurations please refer to the Leica Viva GNSS or Leica Viva TPS TS11/TS12/TS15 equipment lists.

12 Additional Containers




| | | |
|---------|---------------|---|
| 769 625 | GVP645 | ScanStation C10/C5 transport container. |
| 769 626 | GVP652 | ScanStation C10/C5 accessory container. |
| 805 221 | GVP710 | Transport box light for ScanStation Cx/Px.  For careful transportation only. Not designed for substantial shipping! |

13 External Camera Kit



| | | |
|---------|---|---|
| 6007281 | External camera kit for ScanStation C10/C5 | <p>External camera kit for ScanStation C10/C5 consisting of:</p> <ul style="list-style-type: none"> • 1x Transport Box for Canon EOS 60D Camera (780 900) • 1x Bracket for Canon EOS 60D Camera (795 373) • 1x USB Cable for Canon EOS 60D Camera (795 668) • 1x Cleaning cloth (771 349) • 1x ScanStation C10/C5 System USB stick (819 532) |
|---------|---|---|

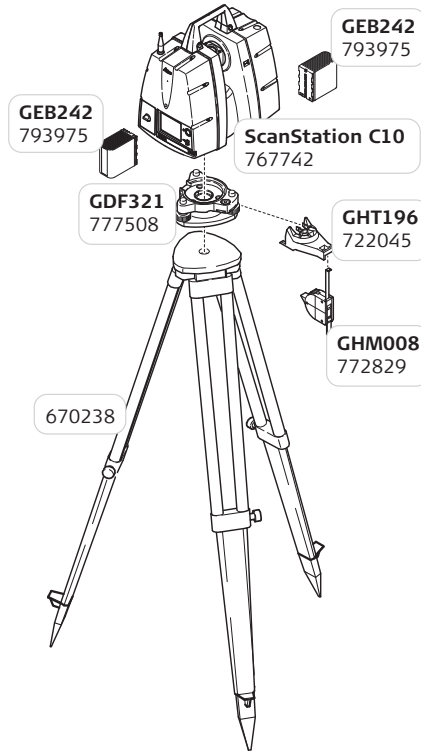
 Does not include Canon EOS 60D camera and fish eye lens!
Does not include license for ext. camera option (795 153).

14 License Options

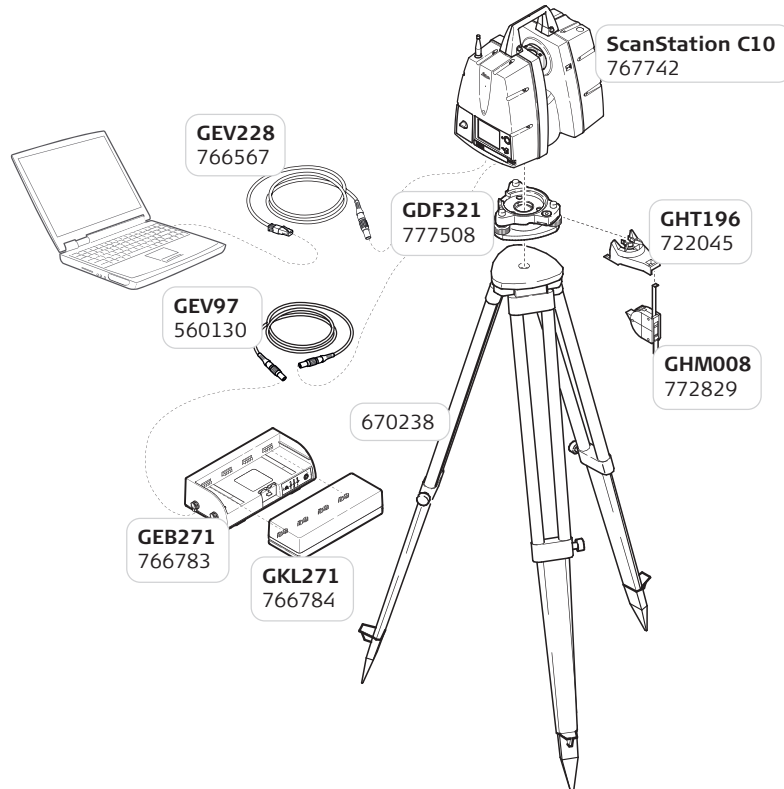
| | |
|---------|---|
| 788 981 | ScanStation C5 range upgrade to full range of ScanStation C10 (300 m @90% reflectivity). |
| 788 982 | ScanStation C5 laser speed upgrade to full speed of ScanStation C10 (50'000 pts/sec). |
| 788 983 | ScanStation C5 internal camera option (1920 x 1920 pixels). |
| 788 984 | ScanStation C5 dual axis compensator option. |
| 795 153 | ScanStation C10/C5 external camera option. |
| 818 038 | ScanStation C10/C5 Data Access Option. Enables access to ScanStation C10/C5 raw data in 3rd party software packages. |

Suggested Equipment Setups

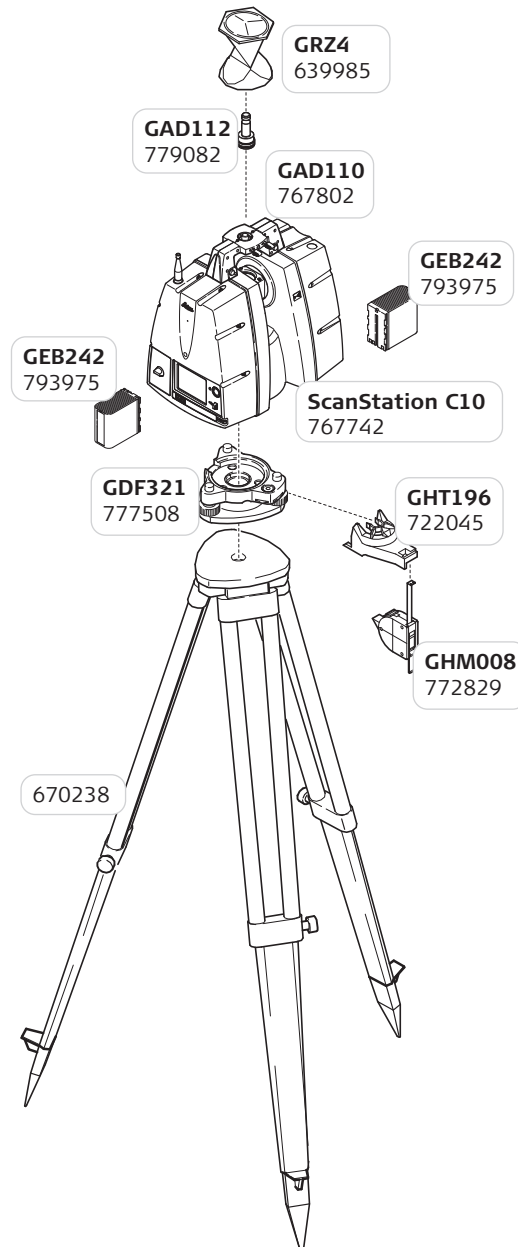
15 Configuration stand alone/internal Battery



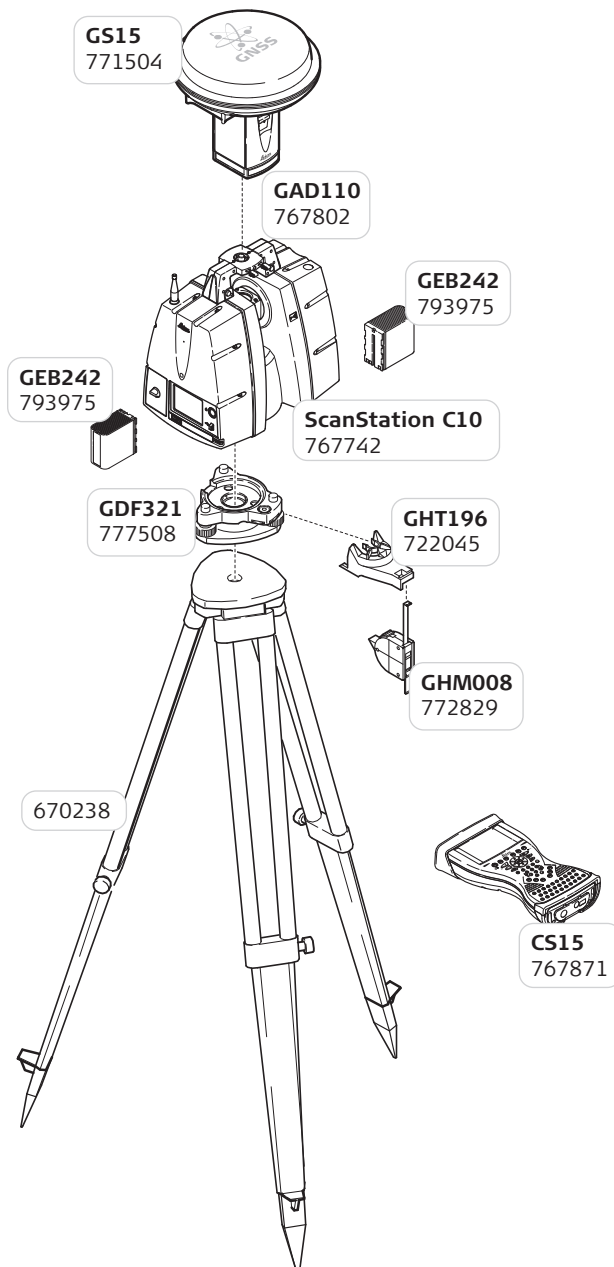
16 Configuration scan laptop/external Battery




17 Configuration stand alone/internal Battery with Reflector on top



18 Configuration stand alone/internal Battery with GPS Antenna on top



 For details about additional required products and accessories to use the GNSS option or other antenna and controller configurations please refer to the Leica Viva GNSS or Leica Viva TPS TS11/TS12/TS15 equipment lists.

Software and Care Packages

19 Software

| | |
|---------|---|
| 755 609 | CD-ROM Cyclone |
| 798 749 | Cyclone BASIC |
| 818 038 | ScanStation C10/C5 Data Access Option. Enables access to ScanStation C10/C5 raw data in 3rd party software packages. |

20 Customer Care Packages (CCP)

The ScanStation C10 standard package (6003155) and the ScanStation C5 standard package (6005697) include a 1 year CCP Basic contract. Multi-Year CCP contracts are available for ScanStation C10 and ScanStation C5, but can only be ordered with the initial purchase of an instrument.



| | |
|---------|------------------|
| 6003220 | 2 year CCP Basic |
| 6003221 | 3 year CCP Basic |



| | |
|---------|-------------------|
| 6003222 | 1st year CCP Blue |
| 6003223 | 2 year CCP Blue |
| 6003224 | 3 year CCP Blue |



| | |
|---------|-------------------|
| 6003226 | 2 year CCP Bronze |
| 6003227 | 3 year CCP Bronze |



| | |
|---------|---------------------|
| 6003291 | 1st year CCP Silver |
| 6003229 | 2 year CCP Silver |
| 6003230 | 3 year CCP Silver |



| | |
|---------|-------------------|
| 6003232 | 1st year CCP Gold |
| 6003233 | 2 year CCP Gold |
| 6003234 | 3 year CCP Gold |

| | Customer Support | Firmware/ Software Maintenance | Extended Warranty | Hardware Maintenance incl. Calibration | Loaner Instrument |
|---------------|------------------|-----------------------------------|-------------------|--|-------------------|
| Basic | ✓ | ✓ | | | |
| Blue | ✓ | ✓ | | ✓ | |
| Bronze | ✓ | ✓ | ✓ | | |
| Silver | ✓ | ✓ | ✓ | ✓ | |
| Gold | ✓ | ✓ | ✓ | ✓ | ✓ |

For further details about HDS Customer Care Packages refer to document 767 474 (Active Customer Care - Leica Customer Care Packages for HDS Hardware and Software).

Trademarks & Technical Data

21 Trademarks

The *Bluetooth*® word mark and logos are owned by Bluetooth SIG, Inc. and any use of such marks by Leica Geosystems AG is under license.
Other trademarks and trade names are those of their respective owners.

22 Technical Data

Laser plummet:

Laser class 2 in accordance with IEC 60825-1 resp. EN 60825-1

Scanner:

Laser class 3R in accordance with IEC 60825-1 resp. EN 60825-1



Whether you're designing a modification to a complex refinery piping system, surveying a site or documenting a historic building, you need reliable measurements. High-Definition Surveying scanning systems and software by Leica Geosystems provide you with exact data of what's there.

When your as-built information has to be right, rely on Leica Geosystems, the company that professionals trust for their scanning solutions. Leica Geosystems is best known for pioneering scanning technology with trustworthy, total solutions: versatile, accurate laser scanners, industry standard point cloud software, and a full complement of accessories, training and support.

Precision, quality and service from Leica Geosystems.

When it has to be right.

Illustrations, descriptions and technical specifications are not binding and may change.
Printed in Switzerland - Copyright Leica Geosystems AG, Heerbrugg, Switzerland, 2014.
776257-4.0.0en - IV.14